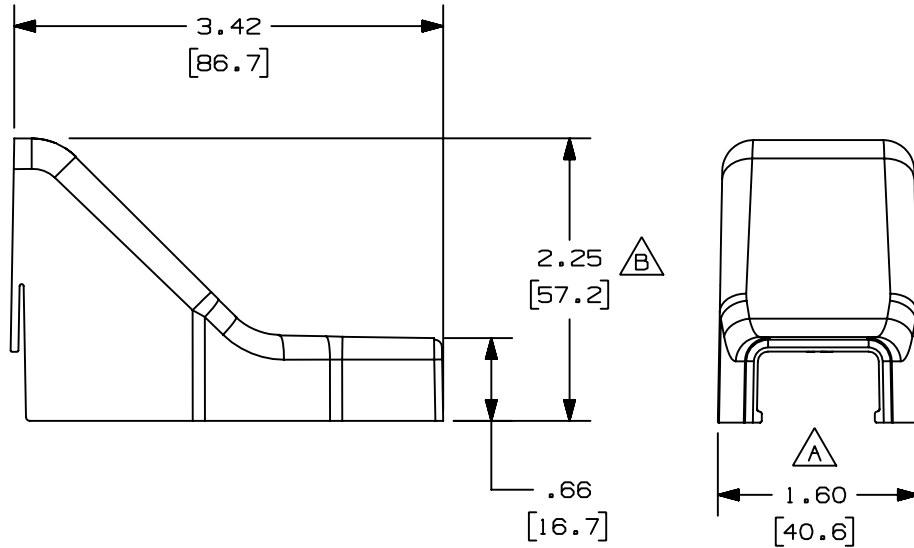


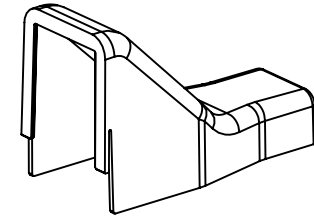
THIS COPY IS PROVIDED ON A RESTRICTED BASIS AND IS NOT TO BE USED IN ANY WAY DETRIMENTAL TO THE INTERESTS OF PANDUIT CORP.

PANDUIT P/N	WEIGHT
DCF5	.040 lbs (18.14 g)



NOTES:

1. SEE CURRENT CATALOG FOR ADDITIONAL PART SUFFIXES TO INDICATE COLOR AND OR PACKAGE QUANTITY.
2. THE DCF5 FITTING IS USED WITH LD5 AND LDP5 RACEWAYS.
3. DIMENSIONS IN PARENTHESIS ARE IN METRIC.



CAD FILENAME/LAYERS D36725DG_DC_DCF5_00E.PRT

PANDUIT CORP. TINLEY PARK, ILLINOIS
LD5 DROP CEILING FITTING (DCF5)
CUSTOMER DRAWING

REV	DATE	BY	CHK	DESCRIPTION	ECN	R	CUST	SUP
4	01-20-05	JBN	RMHI	E. REVISED WEIGHT OF THE PART	36725-11	RGRO	RGRO	
3	03-08-04	JHEP	RGRO	D. REMOVED CDS FROM NOTE 2	36725-11	RGRO	RGRO	
2	07-02-02	JHNU	RMHI	C. REVISED MATERIAL IN DRAWING TITLE BLOCK.	36725-11	RGRO	RGRO	
1	06-18-99	DW	HIW	B. CORRECTED DIMENSION WAS 2.25(57.1). A. CORRECTED DIMENSION WAS 1.59(40.4).	36725-11	HIW	HIW	
R	05-25-99	DW	HIW	RELEASED TO PRODUCTION	36725-11	HIW	HIW	

UNLESS OTHERWISE SPECIFIED, DIMENSIONAL TOLERANCES ARE: (.X) ± (.XXX) ± (.XX) ±.03 (.8) ANGLES ±		UNLESS OTHERWISE SPECIFIED, ALL DIMENSIONS ARE GIVEN IN INCHES, THIRD ANGLE PROJECTION.
DRAWN BY DW	MAT'L: ABS	SCALE NONE
DATE 05-21-99		DRAWING NO. 36725-11
CHK'D HIW		DWG A SIZE